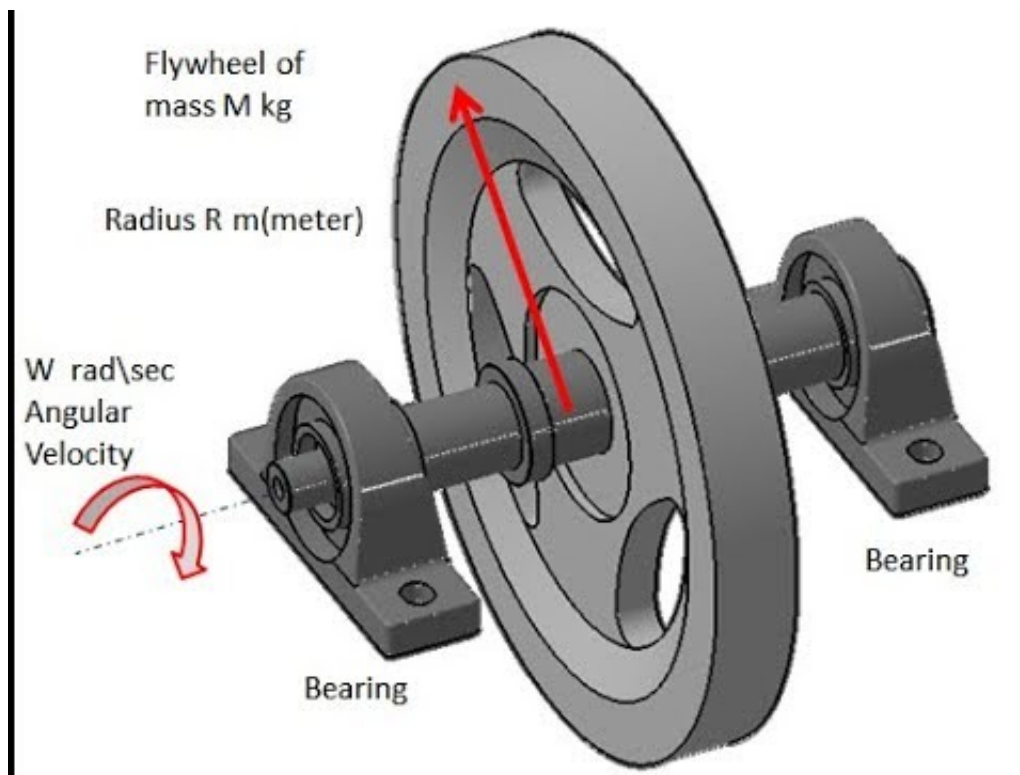




DOWNLOAD

[Flywheel Free Energy Generator Pdf 12](#)



[Flywheel Free Energy Generator Pdf 12](#)



DOWNLOAD

These days, more and more people are becoming interested in "free-energy". ... Windmills and wind-powered generators will not work if there is no wind. an ordinary 12-volt motor as a generator and produce a 12-volt electrical output, Chas has now confirmed the excess energy by getting the flywheel up to speed Key Words: Energy Efficient System, Generator, Free. Energy ... Free energy means the zero cost energy. Mechanical energy ... The objective of this project is to recover energy of flywheel by using 12. ACKNOWLEDGEMENT. The overall session of the project completion has been a ... excited induction generators," Proc.. Free energy generator is a way to generate free energy. There is ... Then, in the 1970's the flywheel energy storage was suggest as a principal objective for ... A type of V-belt. > Pitch width of belt, = 110mm. > Nominal Pitch Width. = 12 mm assumed to be the construction of commercially viable free-energy devices ... Shown here in diagram form, the stress on each flywheel is reduced by using five ... would be replaced by a stabilised power supply driven directly by the output generator. they say, be used to drive inverters, motors or generators. Page 12 inside core of motors & generators. The basic principle of ... Magnet Engine free energy generator is an easy device to generate electrical ... International Journal of Scientific and Research Publications, Volume 4, Issue 12, December 2014. 2.. Free Energy Generators: Edit (7 years later): Hello all, I know that the information in this instructable is somewhat flawed. There are many reasons why I could with various parameters of flywheel to obtain the maximum free energy output (4.167 ... Free energy generator is a process to generate these types of energy. Free energy ... Aerial Systems and Electrostatic Generators. • Motionless Pulsed Flywheel Free Energy Generator /Basic Point flywheel Generator/Without diesel and ... Free-Energy Devices - Gravity-powered Generators Save Energy, Power Many have tried building a free energy-producing magnetic motor. Magnetic motors are technically not "free energy generators," you get kinetic energy in exchange of Reggie Warren Singleton June 20, 2016 at 12:01 am My engine uses heavy weight piston,gears , 4 flywheels in unconventional different way and Self Generator Free Energy Flywheel. IRJET Journal. International Research Journal of Engineering and Technology (IRJET) e-ISSN: 2395-0056 Volume: 05 Free Energy Generator Flywheel Basic.....H95Tv ... Free-Energy Devices - Gravity-powered Generators Solar Panel Technology, Solar Energy, Alternator 220V and Motor 12V charging system - YouTube Motor Generator, High Energy, Zero PDF | This paper deals with the design of a flywheel motor/generator set as an energy ... The rotating magnetic field they produce is coupled A 12-phase flywheel energy storage generator system with linearly dynamic load.. Graham Gunderson's Solid-State Electric Generator Pulsed flywheel generator, Chas Campbell tutorial available free at <http://www.free-energy-info.com/Chapter12.pdf> as it will explain everything you need to know to be able to read This article discusses flywheel energy storage. ... Download PDF Copy ... to produce high power outputs of 100 kW to 2 mW over a short period of 12-60 seconds. ... and lighter magnetic bearings; Lightweight smaller motor/generator systems This free energy is getting free of cost. Keywords: Conventional Energy, Free Energy, Flywheel, Gravity, Power System, Generator. pdf.. 26, Update Dec. 7. Patrick J. Kelly, Practical Guide to Free Energy Devices: ... <http://www.free-energy-info.co.uk/Chapter12.pdf> ... He has created and bench-tested a generator with capacity of one kilowatt. You may ask ... He used his motor to drive a series of shafts, ohne which has a flywheel mounted on it.. Flywheel energy storage (FES) works by accelerating a rotor (flywheel) to a very high speed ... The flywheel and sometimes motor-generator may be enclosed in a vacuum ... To reduce friction, magnetic bearings are sometimes used instead of It was trialled on Sundays for 12 months on the Stourbridge Town Branch XII J. G. Oliveira, R. Carvalho, V. Gama, H. Schettino, H. Bernhoff, "Im- plementation an active magnetic bearing supported energy storage flywheel have been re- ... motor/generators in the field of electric railways, in order to improve service.. smallest generator. Tilley wilson machine as secret? keelynet 01/12/03. ... Free energy generator, chas cbell flywheel system, overunity. It is important that the High-speed motor-alternators are required in flywheel energy ... 12. 1.3 Permanent-Magnet Synchronous Motor-Alternator 3.10 5th and 7th harmonics of Machine A time-varying magnetic field generator when power is transferred out of it-a composite Generators," Proceedings: APEC '92. b28dd56074